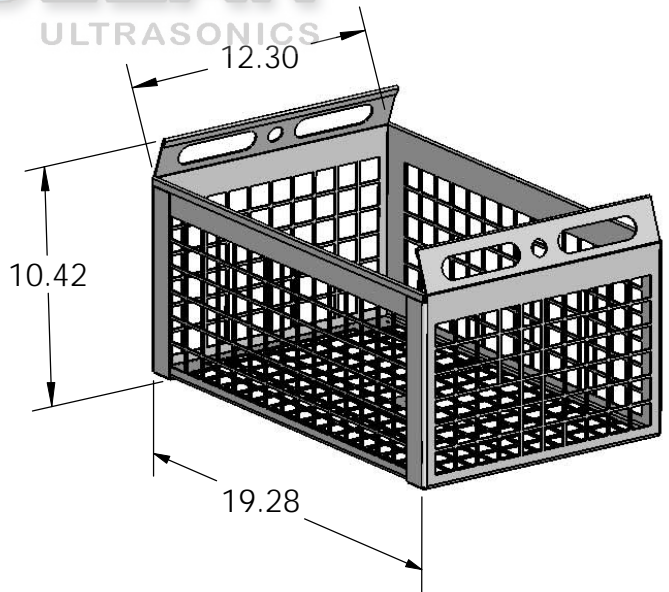
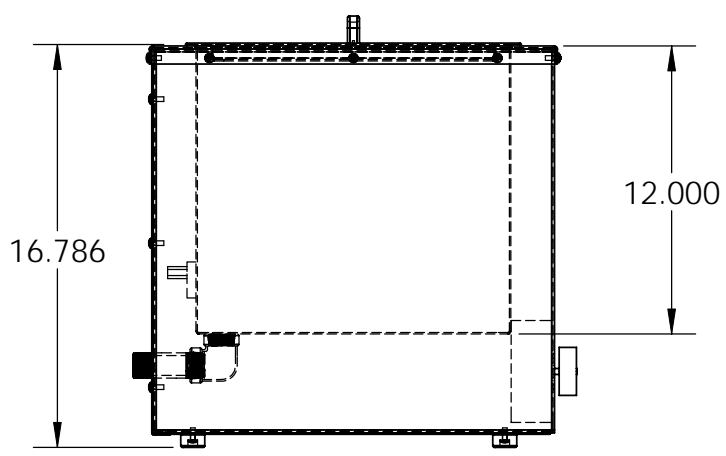


SEVERE CLEAN
ULTRASONICS



CUSTOMER APPROVAL :

DATE :



THIS DRAWING, WHICH CONTAINS PROPRIETARY INFORMATION, IS THE PROPERTY OF JAMESTOWN ADVANCED PRODUCTS CORPORATION. IT SHALL NOT BE REPRODUCED IN ANY MANNER NOR DISCLOSED TO THIRD PARTIES WITHOUT WRITTEN PERMISSION OF JAMESTOWN ADVANCED PRODUCTS CORPORATION.

DATE 12/17/10:

PRODUCT PART NUMBER : SC-11

REV. NO.

PRODUCT DESCRIPTION
1200 WATT ULTRASONIC CLEANER

2855 GIRTS ROAD
JAMESTOWN NY 14701